

How to Set the Torque of Screwdrivers

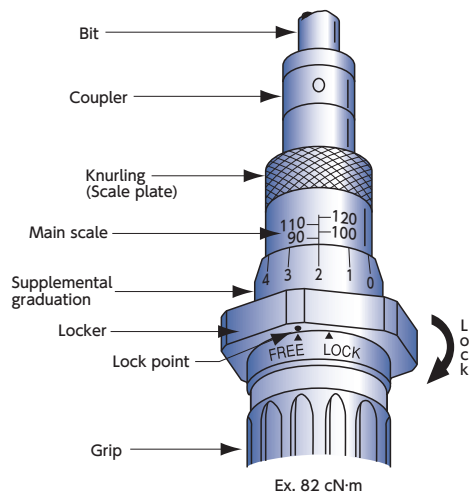
LTD, RTD, A/BMLD, A/BMRD

Method of setting torque (Adjustable type) :

1. Turn the locker of the main unit to release the lock (LTD/RTD).
2. Holding the main scale knurling part with the fingers of your right hand, turn the grip with the fingers of your left hand to set the torque value.

*Setting the torque set values:

- (1) Turn the grip to match the top end of the supplemental graduation with the main scale.
- (2) Match the supplemental graduation line with the main scale vertical line (See the figure on the right).
3. After setting the torque, turn the main unit locker to lock it.



NTD, RNTD, RNTDZ

Method of setting torque (Preset type):

1. Holding the grip with your left hand, insert the adjusting tool bar into the grooves of the adjustment screw and turn to adjust. Turn clockwise to increase the torque value.
2. Insert with the exclusive bit into the loading device of the Torque Driver Tester (TDT3-G) and fix it.
3. Turn the loading device clockwise to measure the torque value.
4. Continue to repeat procedures 1-3 until the torque is matched.

