

Digital Torque Wrench Tester DOTE4-G/-MD2

Ideal for using torque wrench calibration
Multicolor LED shows judgment status in three different colors



DOTE100N4-G

- Uniform loading device enhances the repeatability & accuracy
- Models available to cover a torque range of 2 to 1000N•m
- Units are selectable, cN•m/N•m/Kgf•cm/Kgf•m/lbf•in/lbf•ft
- Measurement data can be output by RS232C or USB
Connecting cable is sold separately.



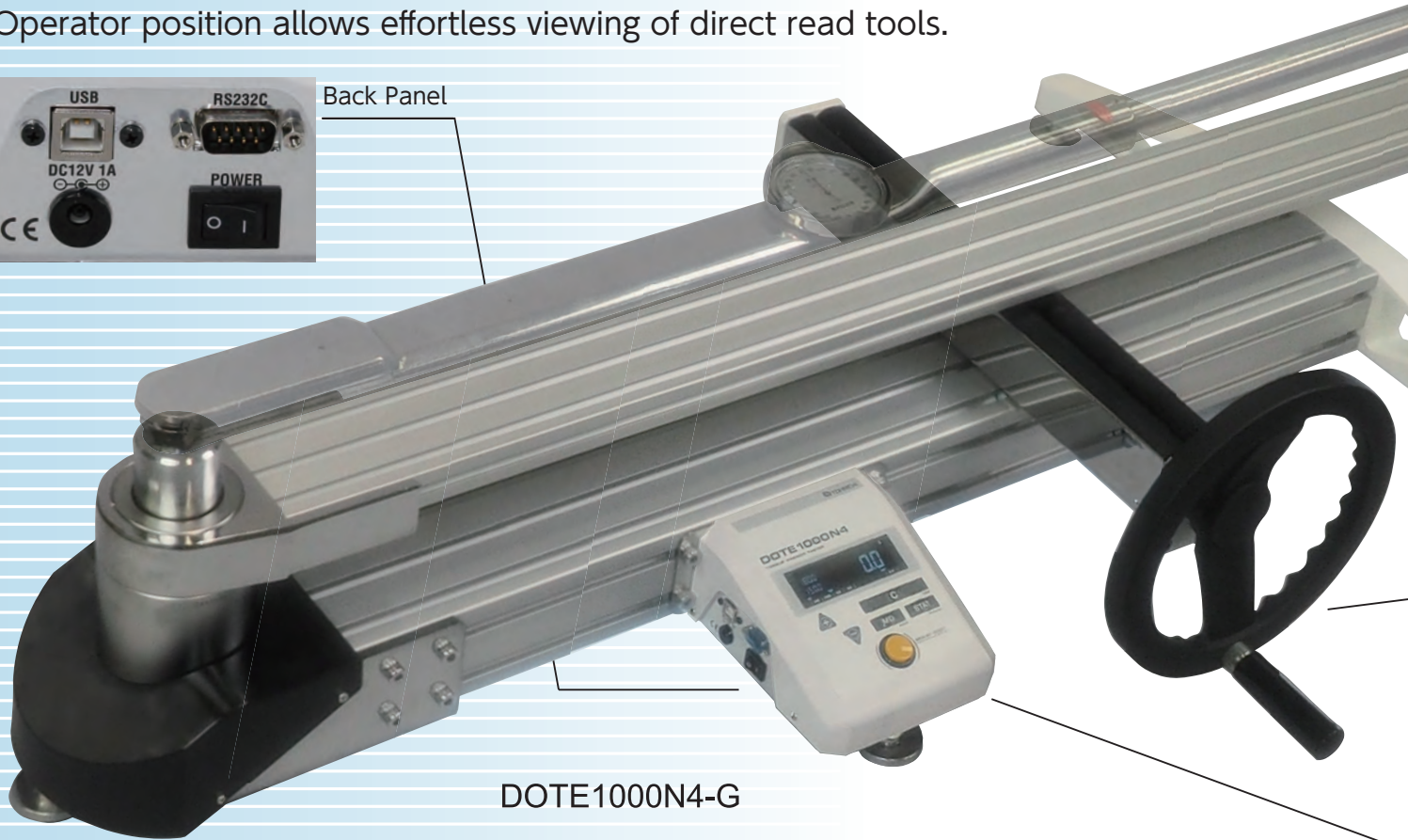


Features

- **Horizontally fixed uniform loading device ensures consistent and highly accurate, repeatable results**
Using the loading bar puts all the force on the effective length point on the tool for the highest accuracy.
- **Newly designed handle is easy to operate even at maximum torque**
Operator turning force remains low throughout the torque range.
- **Central display allows the operator to view direct read style torque wrenches easily especially for larger size model**
Operator position allows effortless viewing of direct read tools.

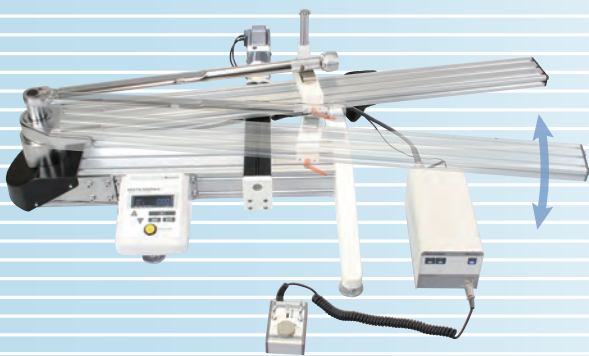


Back Panel



DOTE1000N4-G

DOTE4-G-MD2: Motor Driven Loading Device



DOTE500N4-G-MD2

- Suitable for bulk calibrations
- Three step loading speeds to suit the operator
- Includes an inching dial for small adjustments to direct read style torque wrenches
- Motor drive units can be retrofitted to DOTE4-G tester

Complete w/MD Set

Model
DOTE20N4-G-MD2
DOTE50N4-G-MD2
DOTE100N4-G-MD2
DOTE200N4-G-MD2
DOTE500N4-G-MD2
DOTE1000N4-G-MD2

Retrofit Motor Driven Unit

Model	Applicable model
MD2-SET-S	DOTE20N4-G
	DOTE50N4-G
	DOTE100N4-G
	DOTE200N4-G
MD2-SET-L	DOTE500N4-G
	DOTE1000N4-G

* Power cord will be provided in different shapes depending on each country. Contact to Tohnichi.

Data Output Function

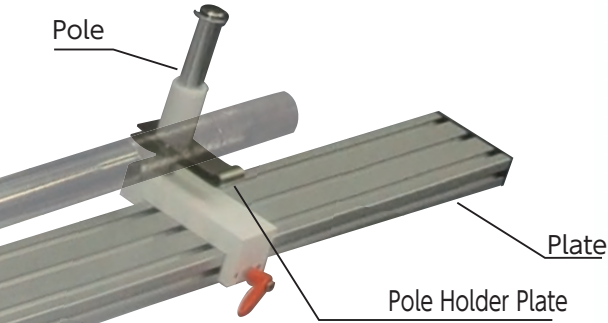
● Enough test result data necessary for tool management can be output

Control Number - Torque Value - Unit - Hi/Lo setting pattern - Result - ID number

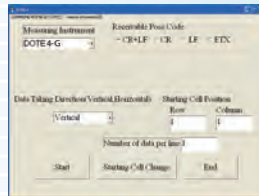
R E 0 0 0 0 , 5 0 . 0 0 0 , n m , A , O K , 1 2 3 4 5 6 A C R L F

* 99 memory mode that is used in previous model is also available.

* default: serial No. of DOTE4-G



Tohnichi free software, ExRcv is available.



ExRcv Software

Through optional connecting cable, stored data can be output as Microsoft Excel® format.

* Optional Tohnichi Tool-Management software is available.

All measuring result can be uploaded and torque wrenches can be controlled. Please contact Tohnichi for further details.

Certificate under ILAC MRA

Calibration certificate valid by Mutual Recognition Arrangements of ILAC and APLAC is optionally available.



The ILAC Mutual Recognition Arrangement is recognized as meeting international standards of competence, and the certificate under ILAC-MRA provides additional confidence since it certifies the torque to be traced directly to National standard.

Wheel Handle



Panel

Common Specifications

Display	Black mask LCD, White-Red-Blue
Measurement mode	PEAK/RUN
Data memory	1000 data
Hi/Lo setting pattern	10 setting pattern, A to J
Statistical processing	Number of samples/max./min./mean value
Zero adjustment	Automatic
Reset	Manual 0.0/Auto 0.1-5.0 sec.
Data output	RS232C compliant, USB B type for serial communication
Operating condition	0-40°C (No condensation)
Power supply	AC100-240V 50/60Hz

● Up to 10 Hi/Lo settings can be programmed for easy retrieval

Hi/Lo settings can also be programmed remotely through a PC.

With separately prepared barcode reader, Hi/Lo settings can be done by command input.

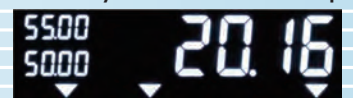
* Application Example of Hi/Lo Setting by Barcode Reader

Example
QSP100N4

Command input



Hi, Lo value setting command
AT037,***,***
0055.00 0050.00
Hi Lo



During calibration



OK judgment



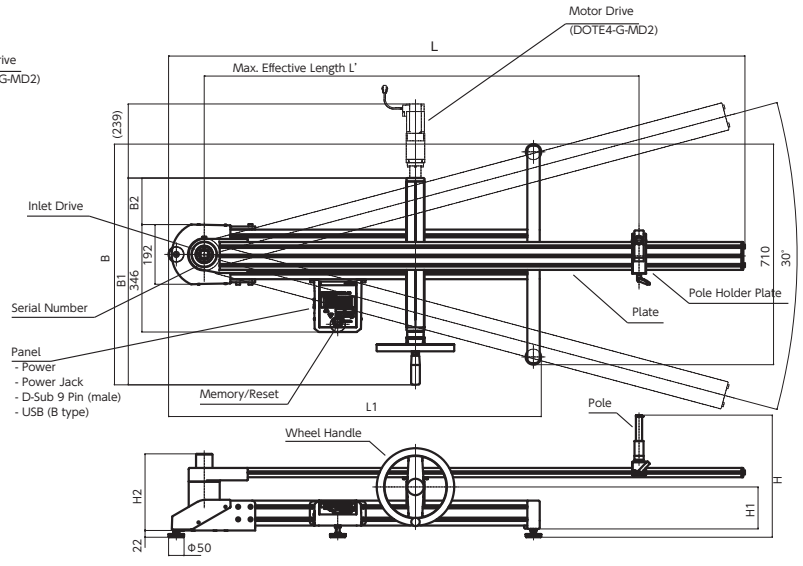
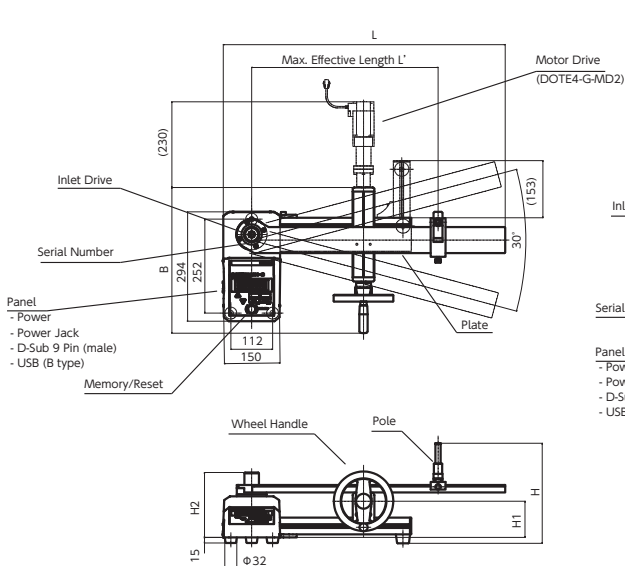
NG judgment

Specifications

■ DOTE20N4-G(-MD2) - 200N4-G(-MD2)

■ DOTE500N4-G(-MD2), 1000N4-G(-MD2)

[mm]



Accuracy +/-1%+1digit

Model	cN·m		N·m		kgf·cm		kgf·m		lbf·in		lbf·ft		Inlet drive	Max. available effective length L' [mm]	Weight [kg]	
	Min.-	Max.	1 digit	Min.-	Max.	1 digit	Min.-	Max.	1 digit	Min.-	Max.	1 digit				
DOTE20N4-G	200	2000	0.2	2-20	0.002	20-200	0.02	-	-	18-180	0.02	-	-	9.5	410	18
DOTE50N4-G	-	-	-	5-50	0.005	50-500	0.05	-	-	44-440	0.05	3.6-36	0.005			
DOTE100N4-G	-	-	-	10-100	0.01	100-1000	0.1	-	-	88-880	0.1	7.3-73	0.01	12.7	660	20
DOTE200N4-G	-	-	-	20-200	0.02	200-2000	0.2	-	-	170-1700	0.2	15-150	0.02			
DOTE500N4-G	-	-	-	50-500	0.05	-	-	5-50	0.005	440-4400	0.5	36-360	0.05	19.5	1120	50
DOTE1000N4-G	-	-	-	100-1000	0.1	-	-	10-100	0.01	880-8800	1	73-730	0.1	25.4	1750	52

Dimensions [mm]

Standard Accessories

Model	L	B	H	L1	B1	B2	H1	H2	Adapter (inlet-outlet)	Hex Adapter [mm]	AC Adapter
DOTE20N4-G	506	339	267	-	-	-	113	171	#296 DA3-2 (1/4-3/8)	10 · 13 · 19 12 · 14 · 17	BA-6
DOTE50N4-G				-	-	-		169	#297 DA4-3 (3/8-1/2), #277 (1/4-1/2)		
DOTE100N4-G				-	-	-		174	#297 DA4-3 (3/8-1/2)		
DOTE200N4-G	756	391	269	-	-	-	162	238	#298 DA6-4 (1/2-3/4)	17 · 22 · 27 / 19 · 24 · 30	
DOTE500N4-G	1276	710	394	810	518	90	238	#298 DA6-4 (1/2-3/4)	22 · 27 · 29 / 30 · 32 · 36		
DOTE1000N4-G	1856	775	394	1200	666	150	247	#299 DA8-6 (3/4-1")	34 · 41 / 46 · 50		

Optional Accessories

Hex Adapter

Part No.	Size
285	3/8-7·8·9
286	1/2-16·18·21
287	1/2-17·22·27
288	1/2-19·24·30

Printer

Model	Description
EPP16M3	Thermal line dot printer
1408	Roll paper
382	Printer cable

Connecting Cable

Model	Description
383	DOTE4 - PC (D-Sub 9pin)
385	DOTE4 - PC (USB B type)

Battery Pack

Model
BP-100-4

Down Adapter

Part No.	Model	Inlet-Outlet Sq.	Max. Torque
296	DA3-2	1/4 - 3/8	14 N·m
297	DA4-3	3/8 - 1/2	70 N·m
298	DA6-4	1/2 - 3/4	220 N·m
299	DA8-6	3/4 - 1"	750 N·m

Calibration Kit

Model	Applicable Models
DOTCL-S1	DOTE20N4, 50N4-G
DOTCL-S2	DOTE100N4-G
DOTCL-S3	DOTE200N4-G
DOTCL-L3	DOTE500N4-G
DOTCL-L4	DOTE1000N4-G



Product movies are available. Visit Tohnichi TV.
<https://www.youtube.com/c/TohnichiTV>

TOHNICHI MFG. CO., LTD.
 URL <http://www.global-tohnichi.com>
 E-mail overseas@tohnichi.co.jp

N.V. TOHNICHI EUROPE S.A.
 E-mail tohnichi-europe@online.be

TOHNICHI AMERICA CORP.
 URL <http://www.tohnichi.com>
 E-mail inquiry@tohnichi.com

TOHNICHI SHANGHAI MFG. CO., LTD.
 URL <http://www.tohnichi-sh.com>
 E-mail sales@tohnichi-sh.com

- The appearance and specifications are subject to change for improvement without prior notice.
- All right reserved. No reproduction or republication without written permission.
- © TOHNICHI Mfg. CO., LTD. All Rights Reserved.



7000.10.17.EN.S